

SILLCOCK

» 117Q SERIES

PDQ™

SPECIFICATION

Sioux Chief PDQ push-fit sillcock shall be used where needed for hose-thread water supply in repair/remodel or new construction applications. Sillcock shall be quarter-turn with easy to grip T-handle. Outlet shall be 3/4" male hose thread and PDQ inlet shall connect to CPVC, PEX, PERT, copper, and any SDR-9 (CTS) tube. Sillcock shall incorporate a release tool and release cartridge with a stainless steel grip ring, a tube alignment bearing, and an EPDM o-ring.

MATERIALS

- Body:** No Lead, dezincification & SCC resistant brass
- O-ring:** EPDM
- Grip ring:** stainless steel
- Set screw:** stainless steel
- Release collar:** POM
- Protection/Alignment bearing:** POM
- Release tool:** ABS

CERTIFICATIONS/APPROVALS

Complies with ASSE 1061
cUPC

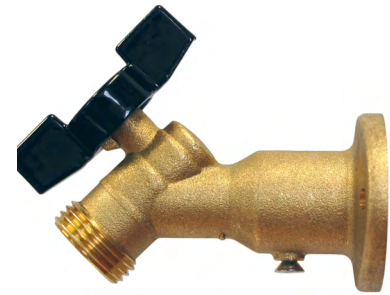
WORKING LIMITS

Max working temperature: 200 °F
Max air/water testing & working pressure:
150 PSIG water / 100 PSIG air

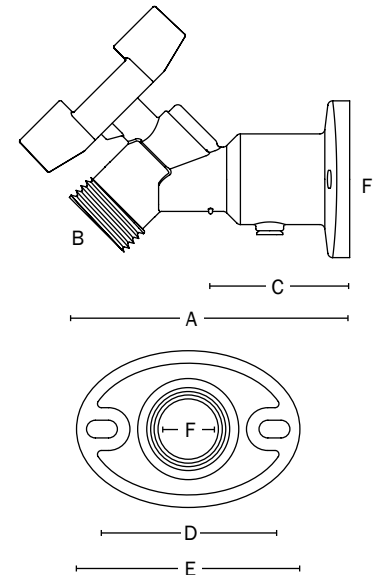
DIMENSIONS

- A:** Length 3⁵/₈"
- B:** Outlet connection 3/4" MHT
- C:** Cut length / insertion depth 1⁷/₈"
- D:** Mounting hole centers 2¹/₈"
- E:** Flange width 2⁷/₈"
- F:** Inlet size 1/2" CTS

ITEM # SUBMITTED _____
JOB NAME _____
LOCATION _____
ENGINEER _____
CONTRACTOR _____
PO# _____ TAG _____



117Q22



Item Number

117Q22