

# THERMOSTATIC MIXING VALVE

## 120 SERIES

### SPECIFICATION

Sioux Chief 120 Series thermostatic mixing valve shall be used in plumbing systems to provide safe/tempered water temperatures at the lavatory or other fixture. Mixing valve shall allow control of both hot and cold incoming lines and deliver either a single, mixed/tempered line out, or both a mixed/tempered line and a cold (bypass) line out to the fixture. Valve shall incorporate integral, replaceable check valves and stainless steel 60 mesh screens to protect from sediment/debris. Valve shall be set on ABS base for solid/secure mounting on walls.

Listed to ASSE 1070, ASME A112.1070 and CSA B125.70

### MATERIALS

**Mixing Valve Body:** No Lead brass<sup>1</sup>, Stainless steel springs, EPDM o-rings, Stainless steel debris screens, Nylon test cap, No Lead brass<sup>1</sup> bypass cap

**Mounting Base :** ABS

### FLOW RATE

Min: 0.25 GPM

Max: 4.0 GPM

### OPERATING PRESSURE

Min: 30 PSI | Max: 125 PSI

Max Test Pressure: 150 PSI

### INLET TEMPERATURE

Cold Inlet: 39°F - 85°F

Hot Inlet: 120°F - 180°F

### OPERATION

Valve maintains and limits hot water to a selectable temperature between 80°F and 120°F. Valve is factory preset to deliver a maximum 'mixed' water temperature of 105°F. The water temperature can be adjusted by the installer; however, a maximum temperature of 105°F is recommended.

- Higher temperatures may result in scalding, serious bodily harm and/or death.
- Carefully read and follow all instructions for installation and maintenance.
- Do Not use pipe dope on female swivel threads.

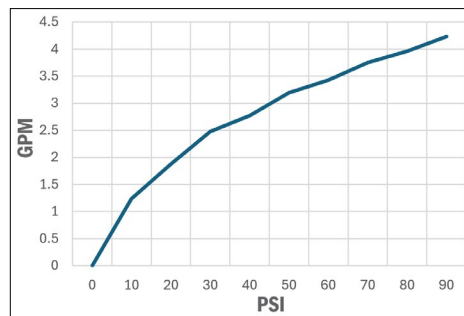
### DIMENSIONS

- A:** Base width 3-7/8"
- B:** Depth with base 2-7/8"
- C:** Overall height 4"
- D:** Supply connections 3/8" Compression, 2" O.C.
- E:** Outlet connection 3/8" compression
- F:** Cold bypass connection 3/8" compression

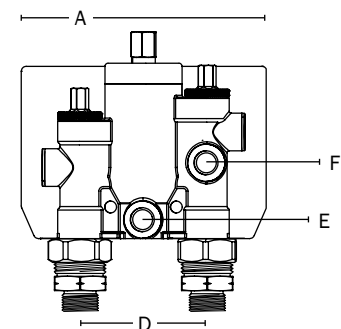
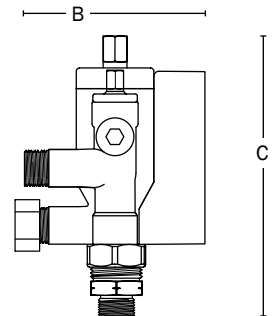
<sup>1</sup> Material is C69300 and C46500. Brass is dezincification and SCC resistant, and is compliant with NSF-61 Annex G and California No Lead Plumbing Law

|                  |                 |
|------------------|-----------------|
| ITEM # SUBMITTED | _____           |
| JOB NAME         | _____           |
| LOCATION         | _____           |
| ENGINEER         | _____           |
| CONTRACTOR       | _____           |
| PO#              | _____ TAG _____ |

### FLOW CAPACITY



120-TM3F



Item Number

**120-TM3F**