

# BALL VALVE ACCESS BOX SINGLE VALVE with DRAIN

▶▶ 687 SERIES

ServiceBox™

## SPECIFICATION

Sioux Chief 687 Series ball valve access box shall be used where accessible, full-port ball valves are required. Ball valve shall be replaceable, 600 WOG, with forward-facing drain port and quarter-turn operation. Valve shall incorporate a union-style connection with brass tailpieces. Tailpiece connections shall comply with ASTM standards.

## INSTALLATION

See [www.siouxchief.com](http://www.siouxchief.com) for full installation instructions. Install in a location that allows for operation, service, maintenance, etc. Make all connections per ASTM standards with compliant materials and processes. Test with water and inspect all connections for leaks before use.

## MATERIALS

**Valve body:** No-lead brass<sup>2</sup>  
**Tailpieces:** No-lead brass<sup>1</sup>  
**Valve handle:** Anodized aluminum  
**Union gaskets:** EPDM  
**MainBlock tube anchors:** ABS  
**Access box:** Fire-rated ABS

## CERTIFICATIONS/APPROVALS

☞ Tested/Certified/Approved for use in fire-rated applications - See back for ratings  
 IAPMO Listed, Complies with ANSI/NSF 372, Meets ASME A112.18.1 and ASME A112.4.14  
 • End connections are manufactured to specifications called out in their respective ASTM standards.  
 • Standards for Fittings and tube options include: CPVC D2846, PEX tube F876/F877, PEX fittings ASTM F1807 & F1960, PERT tube ASTM 2769, PE tube ASTM D2737, PVC pipe ASTM D1785, CTS push fittings (ASSE 1061) compatible with CTS tube, IPS push fittings compatible with IPS pipe

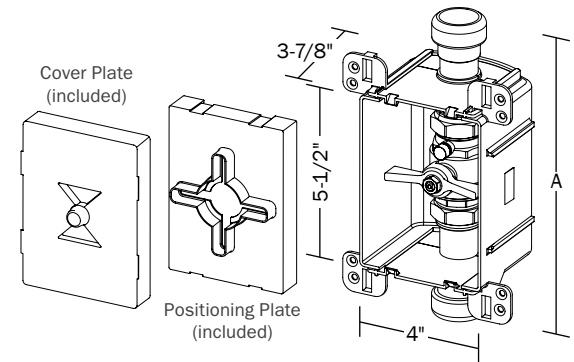
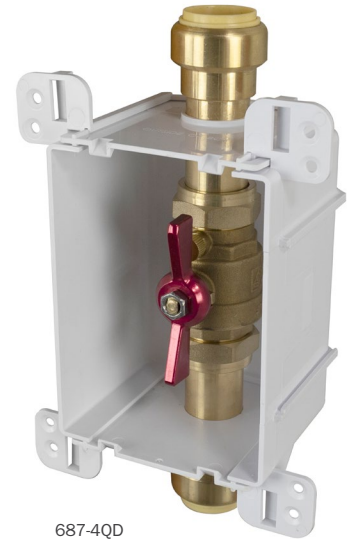
## VALVE MAX PRESSURE

600 psig WOG

## DIMENSIONS

A: Overall height	CPVC Socket	MSWT/Press/Push	Push (CTS)	PEX F1960
1/2" Nom	9"	9-7/8"	9"	9-1/8"
3/4" Nom	8-7/8"	10"	9"	9-1/8"
1" Nom	9-3/8"	10-3/8"	9-3/8"	9-5/8"
1-1/4" Nom	10-3/8"	11-7/8"	10"	10-1/2"
Overall height	PEX F1807	CPVC x F1960	CPVC x F1807	Push (IPS x CTS)
1/2" Nom	9-7/8"	-	-	-
3/4" Nom	9-7/8"	9"	9-3/8"	9"
1" Nom	9-7/8"	9-1/2"	9-5/8"	9-3/8"
1-1/4" Nom	10-3/8"	-	-	-

ITEM # SUBMITTED	_____
JOB NAME	_____
LOCATION	_____
ENGINEER	_____
CONTRACTOR	_____
PO#	_____ TAG _____



## Create Item Number

### 687-AB

e.g. **687-3QD**: Access box and 600 WOG full-port ball valve with drain - 3/4" CTS Push x 3/4" CTS Push connection

#### CONNECTION SIZE A

- 2 = 1/2" Nom.
- 3 = 3/4" Nom.
- 4 = 1" Nom.
- 5 = 1-1/4" Nom.

#### CONNECTION TYPE B

- CD = CPVC socket
- PD = MSWT/Press/Push
- QD = Push Socket (CTS)
- WD = PEX F1960 Expansion
- XD = PEX F1807 Crimp
- CWD = CPVC socket x PEX F1960 Expansion<sup>3</sup>
- CXD = CPVC socket x PEX F1807 Crimp<sup>3</sup>
- SQD = Push Socket (IPS) x Push Socket (CTS)<sup>3</sup>

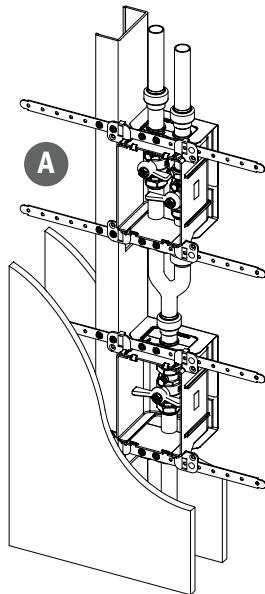
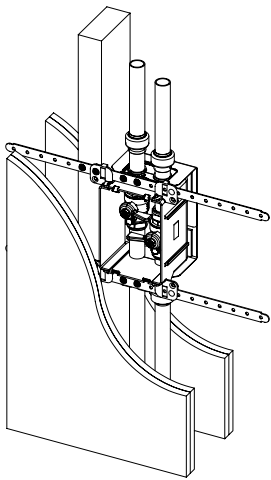
#### Accessories - Available Separately:

- 687-1F: Finish frame - fits all ServiceBox access boxes
- 696-EX: Frame extension - for multiple layers of drywall
- 696-SC: Solid frame insert
- 687-Y33: Wye splitter: 3/4" x 3/4" x 3/4"
- 687-Y43: Wye splitter: 1" x 3/4" x 3/4"

- 1 Tailpiece material is C693 on PEX F1807/F1960, and MSWT models, and is otherwise C46500. Materials are dezincification and SCC resistant, and compliant with NSF-61 Annex G (California No Lead Plumbing Law)
- 2 Valve material is C69300. Dezincification and SCC resistant, and compliant with NSF-61 Annex G (California No Lead Plumbing Law)
- 3 Available in 3/4" x 3/4" and 1" x 1" sizes only.

1 Box

2 Boxes  
Stacked



### ASTM E814

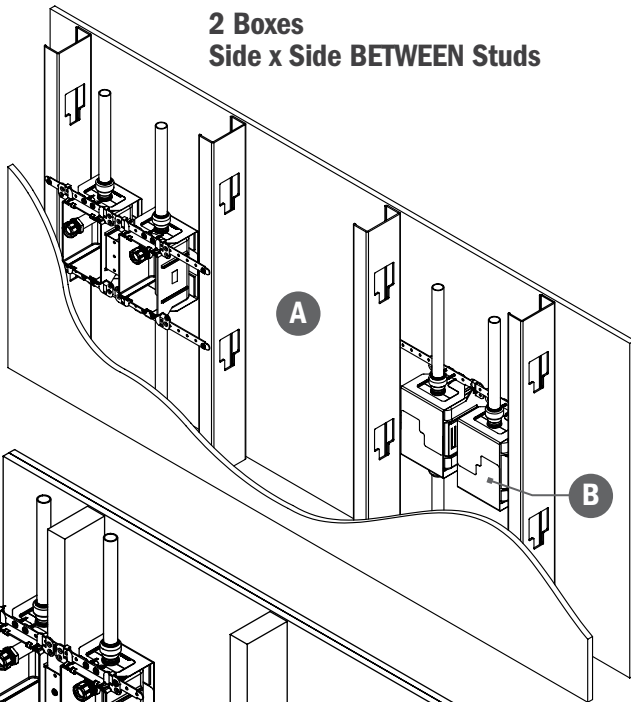
**1 Hr Walls:**  
F: 60 min  
T: 34.5 min  
H: ✓

**2 Hr Walls:**  
F: 120 min  
T: 58.5 min  
H: ✓

1 Hr = 1 layer 5/8" each face | 2 Hr = 2 layers 5/8" each face  
Wood or Steel Studs | No back-to-back installations

**A** NO penetrations in adjacent stud cavity

2 Boxes  
Side x Side BETWEEN Studs



### ASTM E814

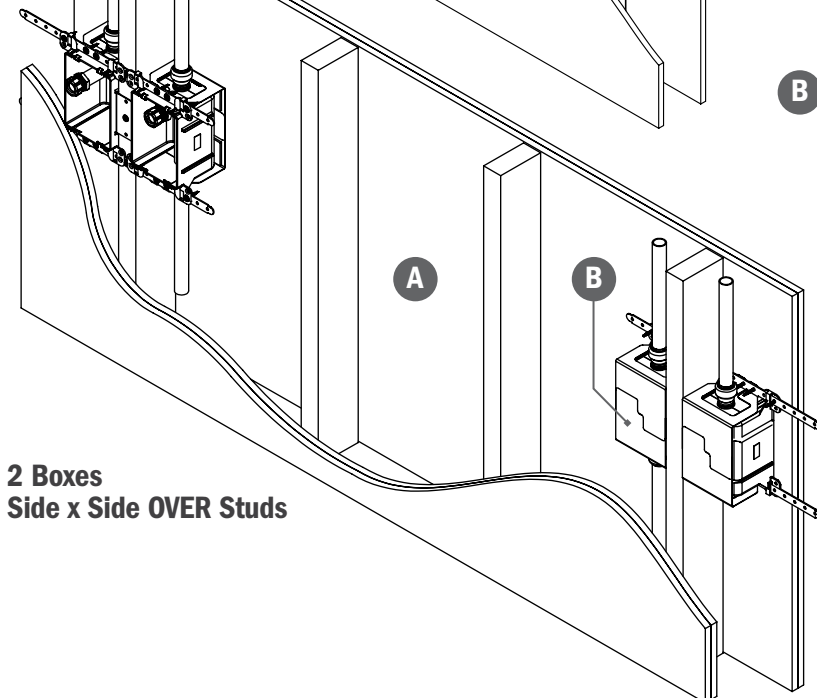
**1 Hr Walls:**  
F: 60 min  
T: 27.5 min  
H: ✓

**2 Hr Walls:**  
F: 120 min  
T: 60 min  
H: ✓

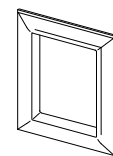
1 Hr = 1 layer 5/8" each face | 2 Hr = 2 layers 5/8" each face  
Wood or Steel Studs | No back-to-back installations

**A** NO penetrations in adjacent stud cavity

**B** Interlocked metal fire-shield with intumescent pad



2 Boxes  
Side x Side OVER Studs



No. 687-1F

Frames sold separately

