

KITCHEN SUPPLY OUTLET BOX

» 696 SERIES

OxBox™

ITEM # SUBMITTED	_____
JOB NAME	_____
LOCATION	_____
ENGINEER	_____
CONTRACTOR	_____
PO#	_____ TAG _____

SPECIFICATION

Sioux Chief 696 series supply OxBox™ shall be used where necessary in residential or commercial plumbing supply systems. Access box can be secured directly to vertical stud or between studs using galvanized bracket. Supply line(s) can be installed from above or below. Unit shall be available with plated, ¼-turn valves. Metal support bracket shall install into top/bottom tracks of box. Outlet connections should generally be provided with a test/tamper-resistant cap. Every unit shall include a debris cover for protection during rough-in.

MATERIALS

- Valve body:** no-lead brass¹
- Valve shank:** no-lead brass¹/PPSU/CPVC, 304SS grip ring
- Outlet box/frame/arrestor clip:** ABS
- Arrestor body:** stainless steel, C69300 NL brass¹
- Arrestor piston:** GFPP with EPDM o-rings
- Bracket:** galvanized steel

CERTIFICATIONS/APPROVALS

NSF-372 compliant, IAPMO listed box and valves
Valves meet ASME A112.18.1, ASSE 1010 Arresters

VALVE/ARRESTER WORKING LIMITS

- Max working temperature:** 200°F
- Max air/water testing & working pressure:** 150 PSIG

DIMENSIONS

- A:** Frame width* 5¾"
- B:** Frame height* 7¼"
- C:** Frame opening width 3⅝"
- D:** Frame opening height 5⅛"
- E:** Rough-in box width 4"
- F:** Rough-in box depth 3½"
- G:** Rough-in box height 5½"
- H:** Supply connections ½" nominal, 2" O.C.
- I:** Outlet connections ¼", ⅜" compression
- J:** Bracket length 18"

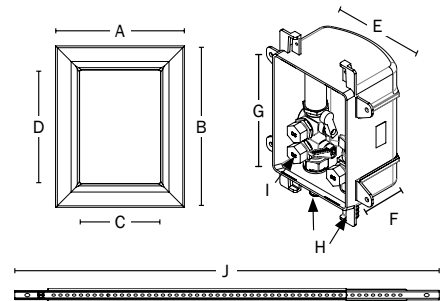
*Frame sold separately: 696-1F



696-G3011WR



696-G4021WR



Create Item Number

696-GABCD

e.g. **696-G4024WR:** Kitchen supply outlet box with TWO ⅜" Hot Outlets, Hot-Side Arrestor - ONE ⅜" Cold Outlet and ONE ¼" Cold Outlet, Cold-Side Arrestor - F1960 PEX connection

SUPPLY OUTLET NUMBER **A**

- 30** = 3 outlets
- 40** = 4 outlets

ARRESTER **B**

- 1** = Single arrestor - for HOT side
- 2** = Dual arrestors - for HOT/COLD side

SUPPLY OUTLET SIZE **C**

- 1** = All (3 or 4) outlets ⅜" comp.
- 4** = ⅜" outlets with one ¼" outlet*

SUPPLY CONNECTION **D**

- CR** = ½" Male CPVC
- MR** = ½" MIP/F.SWT
- PR** = ½" Male sweat/press/push
- VR** = ½" Viega® PureFlow® PEX
- WR** = ½" PEX F1960 Grip™
- XR** = ½" PEX F1807/F2159 Crimp™

Available Separately:

- 696-1F: Frame only
- 697-1F: Stainless steel frame only
- 696-1SC: Frame insert w/hose knockout
- 696-EX: Frame extension

¹C69300 material is DZR and SCC resistant, compliant with NSF-61 & 372, and compliant with California No Lead Plumbing Law

*¼" outlet is on cold side