

COMPACT WASHING MACHINE OUTLET BOX

696 SERIES

OxBox ONE™

ITEM # SUBMITTED	_____
JOB NAME	_____
LOCATION	_____
ENGINEER	_____
CONTRACTOR	_____
PO#	_____ TAG _____

SPECIFICATION

Sioux Chief 696 OxBox ONE™ compact, single outlet box shall be used in residential or commercial plumbing supply/drainage systems. Unit shall accommodate supply lines from above. Unit is designed to be secured directly to vertical stud or between studs using galvanized bracket (provided). Unit shall include 1/4-turn ball valves with or without water hammer arresters, and 2" DWV drain connection with 5/8" integral test nipple with knock out. Outlet connections shall be 3/4". Every unit shall include debris cover for protection during rough-in.

INSTALLATION

Secure box directly to vertical stud using mounting tabs located on side of box or insert bracket through molded channel then secure bracket to structure.

MATERIALS

- Outlet box:** ABS
- Frame:** fire-rated ABS
- Valve body:** chrome-plated forged brass
- Arrester clip/valve platform:** ABS
- Arrester body:** stainless steel
- Piston:** glass-filled polypropylene with two EPDM o-rings
- Bracket:** galvanized steel, 18-ga.

CERTIFICATIONS/APPROVALS

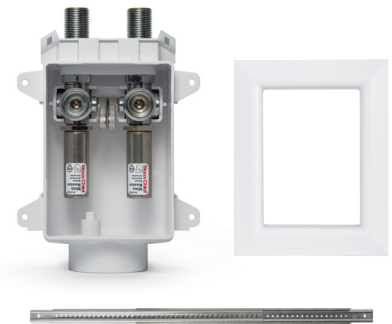
NSF-372 compliant, IAPMO listed
Valves meet ASME A112.18.1

VALVE/ARRESTER WORKING LIMITS

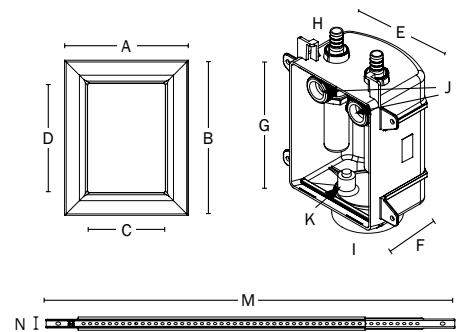
- Max working temperature:** 250°F
- Max testing air pressure:** 100 PSIG
- Max working/testing water pressure:** 250 PSIG

DIMENSIONS

- | | | |
|-----------|----------------------|-------------------------|
| A: | frame width | 5 3/4" |
| B: | frame height | 7 1/4" |
| C: | frame opening width | 3 5/8" |
| D: | frame opening height | 5 1/8" |
| E: | rough-in box width | 4" (single box) |
| F: | rough-in box depth | 3 1/2" |
| G: | rough-in box height | 5 1/2" |
| H: | supply connection | 1/2" nominal or 2" O.C. |
| I: | drain connection | 2" DWV |
| J: | outlet connection | 3/4" male hose thread |
| K: | test nipple | 5/8" O.D. |
| M: | bracket length | 18" |
| N: | bracket width | 5/8" |



696-G2413MF



Create Item Number

696-G24ABC

e.g. **696-G2413MF**: compact washing machine outlet with MIP/FSWT valves, 2" drain connection and frame

ARRESTER A

- 03** = no arrester
- 13** = with arrester

SUPPLY CONNECTION B

- C** = 1/2" male CPVC
- M** = 1/2" female sweat
- W** = 1/2" PEX F1960 Grip™
- X** = 1/2" PEX F1807 Crimp™

FRAME OPTION C

- F** = standard pack (supply box, frame, bracket, debris cover)
- R** = rough-in pack (supply box, bracket, debris cover)

Available separately:

Frame only: 696-1F