

COMPACT WASHING MACHINE OUTLET BOX

▶▶ 696 SERIES

OxBox ONE™

SPECIFICATION

Sioux Chief 696 series OxBox™ outlet box shall be used where necessary in plumbing systems. Unit shall allow for mounting on-stud or between studs, and include plated, 1/4-turn valves with 3/4" MHT outlets. Valve outlets shall be provided with tamper-resistant test caps. Valve handles on arrester models can be operated together (single throw) or independently. Metal support bracket can be installed into tracks of box. Drain box shall have a testable 5/8" nipple on drain cover. Designed in accordance with IAPMO PS 54-2021a.

MATERIALS

Valve body: Forged brass^{1,2}

Valve shank: Brass^{1,2} or CPVC with 304SS grip ring, brass nut, silicone seal

Box/Frame: ABS

Arrester body: 304SS barrel with brass¹ body

Arrester piston: Polypropylene with EPDM o-rings

Bracket: Galvanized steel

CERTIFICATIONS/APPROVALS

NSF-372 compliant¹, IAPMO listed box and valves, Arresters meet ASSE 1010, Valves meet ASME A112.18.1

VALVE/ARRESTER WORKING LIMITS

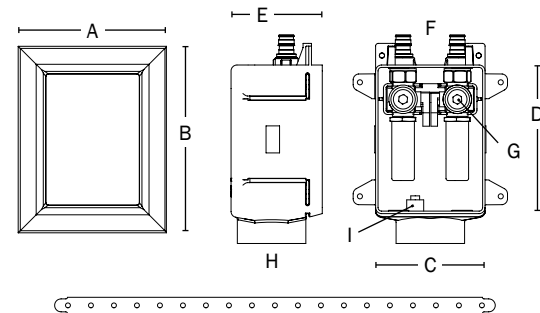
Max Working Temperature: 200° F

Max Testing/Working Pressure: 150 PSIG

DIMENSIONS

A: Frame width	5-7/8"
B: Frame height	7-1/4"
C: Box width	4"
D: Box height	5-1/2"
E: Box depth	3-1/2"
F: Supply inlet	1/2" Nom. 2" O.C.
G: Supply outlet	3/4" Male hose thread
H: Drain connection	2" Sch. 40 hub
I: Test nipple	5/8" O.D.
Bracket length	17"

ITEM # SUBMITTED	_____
JOB NAME	_____
LOCATION	_____
ENGINEER	_____
CONTRACTOR	_____
PO#	_____ TAG _____



Create Item Number

696A B C D
 e.g. **696-G2403XF**: Compact washing machine outlet box with frame; no-lead valves, F1807 connection

VALVE MATERIAL A
 – = Standard brass²
G = No-lead brass¹

ARRESTERS B
2403 = No arresters
2413 = With arresters

SUPPLY CONNECTION C
CF = CPVC (male)
MF = MIP/FSWT
VF = F3347 PEX
WF = F1960 PEX
XF = F1807 PEX

Accessories - Available Separately:
 696-1F: Single-box frame
 696-EX: Frame extension (fits single box)



¹ C69300 material is DZR and SCC resistant, compliant with NSF-61 & 372, and compliant with California No Lead Plumbing Law | ² C37700 and C36000 material