

# DUAL-VALVE SUPPLY ACCESS PANEL

» 698 SERIES

OmniPanel™

## SPECIFICATION

Sioux Chief 698 Series OmniPanel™ access solution shall be used where necessary in plumbing systems for accessible mounting of water supply and drainage penetration. Panel shall be supplied with ¼-turn supply valves, having ⅜" compression or ¾" male hose connections. Arrester variations can be installed with arresters at any angle. Corrosion-proof access plate shall include a flexible, elastomer opening to provide a sealing penetration for drain pipe or DWV fitting hub. Plate allows for debris cover to snap in for protection during rough-in. Valves shall be replaceable with any common ⅝" compression valve. Outlet connections should generally be provided with a test/tamper-resistant cap. Valves should be plated.

## MATERIALS

**Valve:** No-lead brass<sup>1</sup>

**Valve shank:** No-lead brass<sup>1</sup>/copper/PPSU/CPVC, 304SS grip ring

**Panel:** GFPP with elastomer

**Frame<sup>2</sup>:** ABS

**Frame extension<sup>2</sup>:** ABS

**Bracket:** Galvanized steel (when included)

**Debris cover:** Polyethylene

**Arrester Body:** Stainless Steel, C69300 No-lead brass<sup>1</sup>

**Arrester Piston:** GFPP with EPDM o-rings

## INSTALLATION

Recommended that valves are set below elastomer to allow finish hose flex and connection in all wall thicknesses.

## CERTIFICATIONS/APPROVALS

NSF-372 compliant, IAPMO listed panel and valves

Valves meet ASME A112.18.1; Arresters\* ASSE 1010 certified

## VALVE/ARRESTER WORKING LIMITS

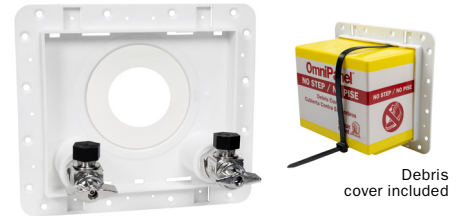
**Max working temp:** 200 °F

**Max air/water testing & working pressure:** 150 PSIG

## DIMENSIONS

<b>A:</b> Panel width	7½"
<b>B:</b> Panel height	6½"
<b>C:</b> Supply spacing C/L	4"
<b>D:</b> Panel to valve outlet	1⅝"
<b>E:</b> Panel to valve supply	1⅝"
<b>F:</b> Frame <sup>2</sup> width	7¼"
<b>G:</b> Frame <sup>2</sup> height	8¼"

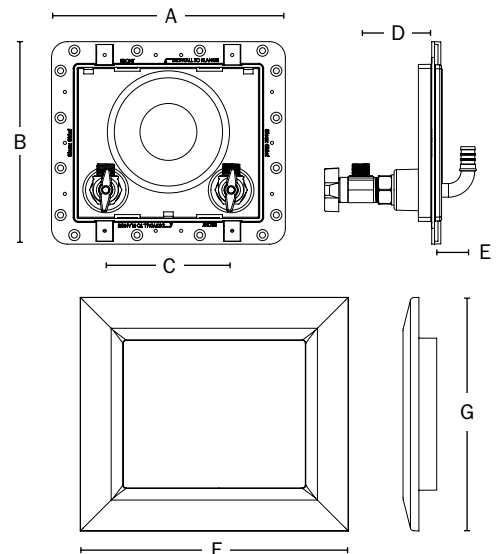
ITEM # SUBMITTED	_____
JOB NAME	_____
LOCATION	_____
ENGINEER	_____
CONTRACTOR	_____
PO#	_____ TAG _____



Debris cover included



698-A11-XR



## Create Item Number

### 698-ABC

e.g. **698-A11-XR:** Supply access panel with two ⅜" valves, F1807 PEX connection, debris cover and color clips included

#### VALVE OUTLET CONNECTIONS A

**A11** = ⅜" Comp. thread - angle

**A33** = ¾" Male hose - angle

#### ARRESTERS B

- = No arresters

**A** = With arresters\*

#### SUPPLY INLET CONNECTION C

**MR** = ½" MIP/F.SWT

**PR** = ½" Male sweat/press/push

**WR** = ½" PEX F1960 Grip™

**XR** = ½" PEX F1807 Crimp™

**CR** = ½" CPVC socket

Available separately:

Frame only: (698-F)

Frame Extension: (698-EX)

<sup>1</sup> Material is C69300 dezincification and SCC resistant, and is compliant with NSF-61 Annex G and California No Lead Plumbing Law

<sup>2</sup> Frame and frame extension available separately