

MULTI-PORT TEE - ASTM F1960 PEX

▶▶ 672 SERIES

PowerPEX®

SPECIFICATION

Sioux Chief 672 series ASTM F1960 PEX multi-port tee shall be used in plumbing and heating systems for distribution of hot or cold water to supply fixtures. Tee shall be made from PPSU material.

Designed in accordance with ASTM F1960, ASTM F877, CSA B137.5, NSF/ANSI 61, NSF 372, NSF 14.

MATERIALS

PPSU - polyphenylsulfone

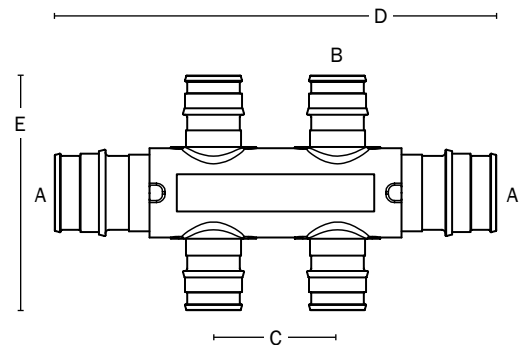
DIMENSIONS

Model	0399	0499	0699
A: Trunk ends	3/4" PEX x 3/4" PEX	3/4" PEX x 3/4" PEX	3/4" PEX x 3/4" PEX
B: Branches	1/2" PEX	1/2" PEX	1/2" PEX
C: Branch centers	1.25"	1.25"	1.25"
D: Overall length	4.45"	4.45"	5.70"
E: Overall height	2.36"	2.36"	2.36"

ITEM # SUBMITTED	_____
JOB NAME	_____
LOCATION	_____
ENGINEER	_____
CONTRACTOR	_____
PO#	_____ TAG _____



672WPT0499



Create Item Number

672A

e.g. **672WPT0499**: ASTM F1960 PPSU multi-port tee with 4 branches and 3/4" PEX x 3/4" PEX trunk ends

CONNECTION SIZE | TOP SIZE **B**

WPT0399 = 3 Branches - 3/4" PEX x 3/4" PEX Trunk

WPT0499 = 4 Branches - 3/4" PEX x 3/4" PEX Trunk

WPT0699 = 6 Branches - 3/4" PEX x 3/4" PEX Trunk

