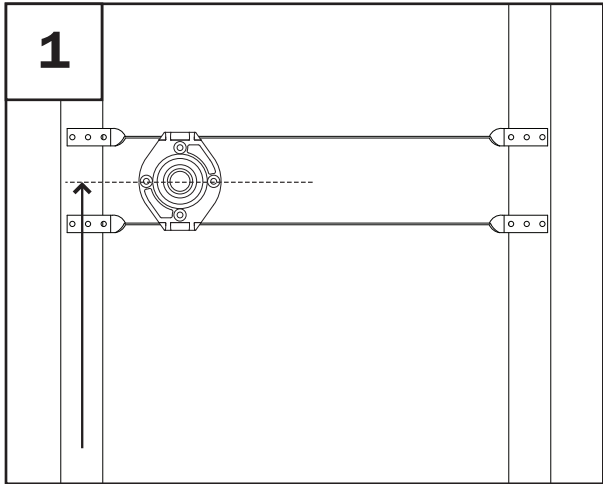


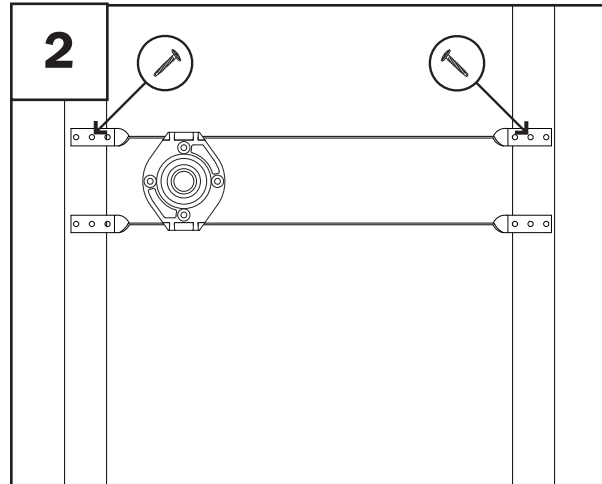
# Strong Arm™

## with Shower WallNut Lock Blocks™

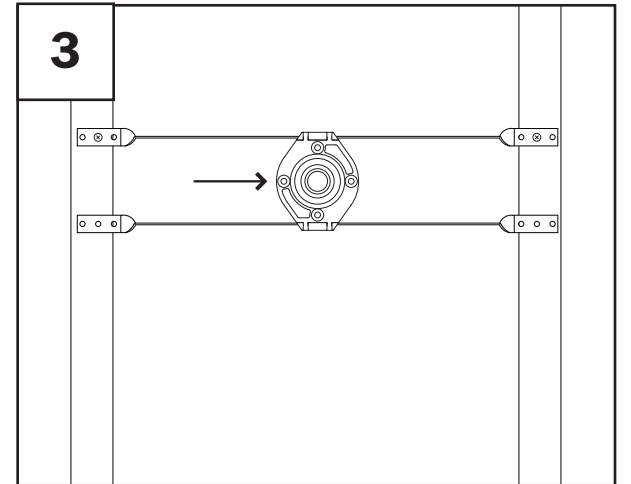
### Instruction Sheet



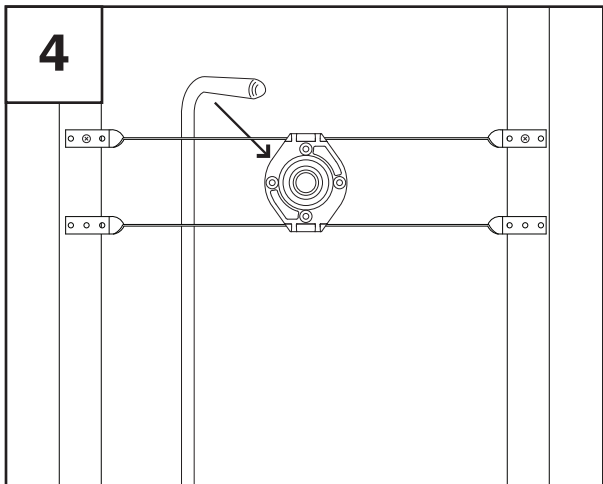
1 Determine stub out height.



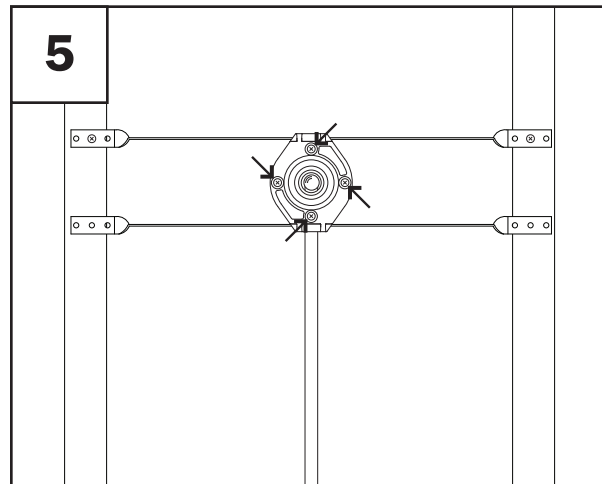
2 Secure top bracket to face of stud bay at desired position for shower arm stub out.



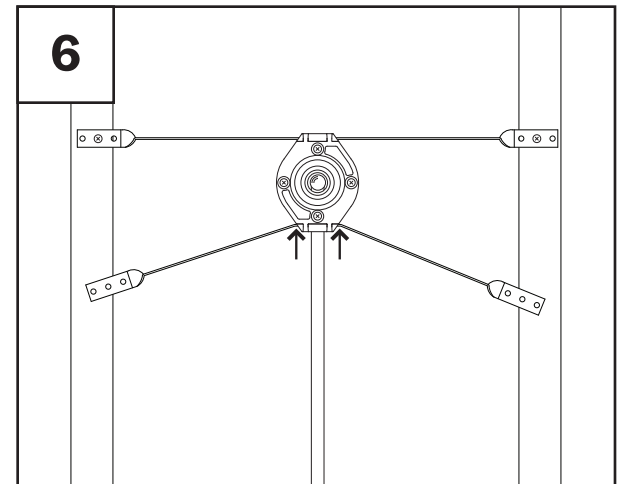
3 Slide Lock Block across bracket.



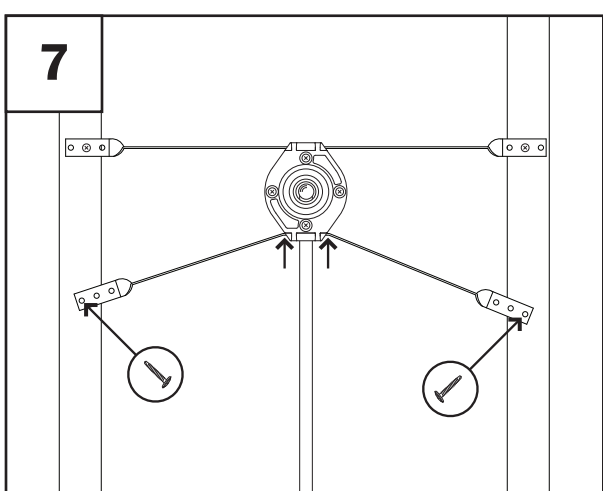
4 Insert copper shower riser ell into Lock Block.



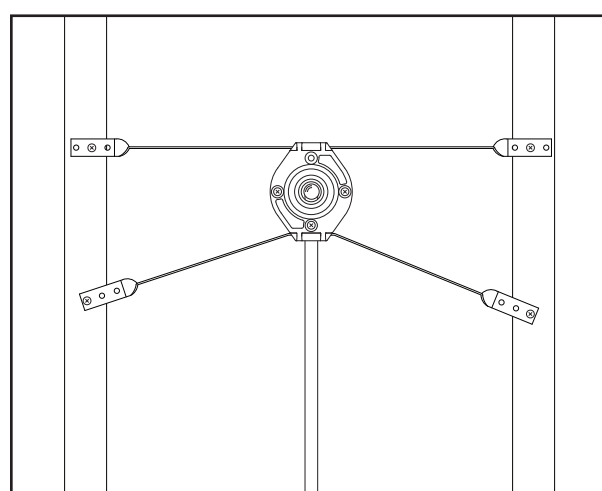
5 Install screws into all four screw holes and tighten. Block will compress around copper and on brackets to prevent lateral movement.



6 As close as possible to each side of block, bend the bottom bracket downward. Bending the bottom bracket provides the most rigid installation.



7 Secure ends of bottom bracket to studs.



Installation complete.